



Delta VFD-L Series Sub-Fractional General Purpose Drive



Voltage Range:
 1 Phase 110V Series : 200W~400W
 1 Phase 230V Series : 200W~0.75KW (200W~1HP)
 3 Phase 230V Series : 200W~1.5KW (200W~2HP)



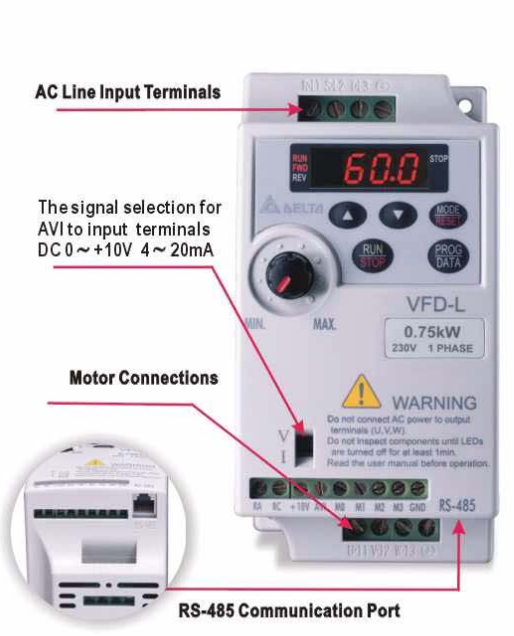
WWW.TERMOPROCESOS.COM

TermoProcesos e Instrumentación, SA. de CV.
 Filósofos 301-101A Col. Tecnológico
 Monterrey, NL. México ventas@termoprocessos.com
www.termoprocessos.com tpisysmx@intercable.net
 52 (81) 83 59 61 30 - 52 (81) 83 59 62 29 - Fax 52 (81) 83 58 37 77

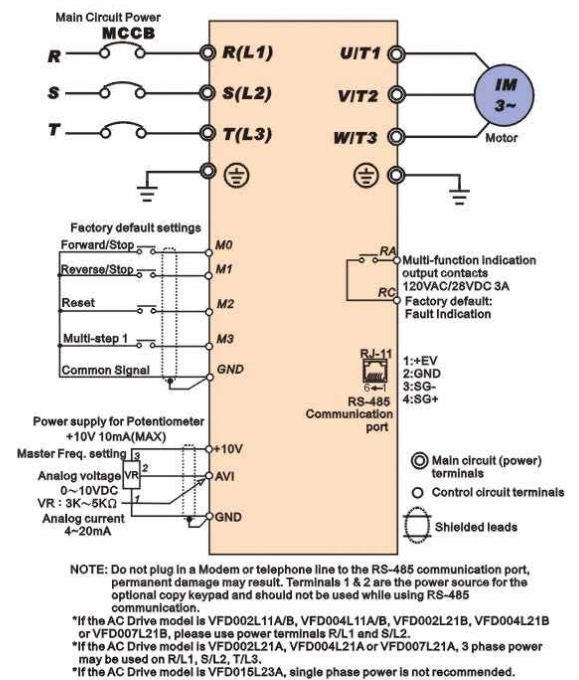
VFD-L

115V/200 400W,230V/200W 2HP

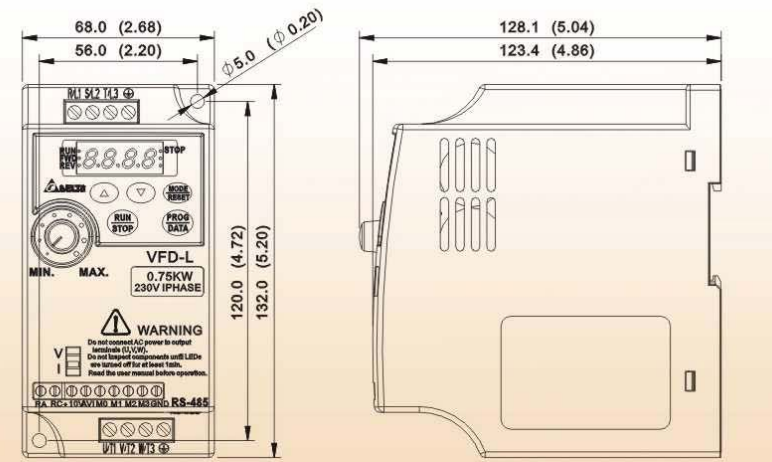
Function Display



Wiring



Dimensions



VFD-L

Standard Specifications

Voltage Class		115V		230V			
Model Number VFD-□□□□□□□□A/B		002	004	002	004	007	015
Applicable Motor Output (kW)		0.2	0.4	0.2	0.4	0.7	1.5
Output Rating	Rated Output Capacity (KVA)	0.6	1.0	0.6	1.0	1.6	2.7
	Rated Output Current (A)	1.6	2.5	1.6	2.5	4.2	7.0
Power	Max. Output Voltage (V)	3phase double the input voltage					
	Rated Frequency (Hz)	Proportional to input voltage					
Power	Rated Input Current (A)	6	9	4.9/1.9	6.5/2.7	9.7/5.1	*/9
	Input Voltage Tolerance	Single phase 100~120V 50/60Hz		Single / 3-phase 200~240V 50/60Hz			3-phase 200~240V 50/60Hz
Control Characteristics	Control System	SVPWM (Space Vector Pulse Width Modulation, carrier frequency 3kHz~10kHz)					
Control Characteristics	Output Frequency Resolution	0.1Hz					
	Torque Characteristics	Including auto-torque and auto-slip compensation, the starting torque is 150% at 5 Hz					
Control Characteristics	Overload Endurance	150% of rated current for 1 minute					
	Accel/Decel Time	0.1~600Sec. (can be set individually)					
Control Characteristics	V/F Pattern	Adjustable V/F curve					
	Stall Prevention Level	20~200% of rated output current					
Operating Characteristics	Frequency Setting	Keypad	Setting by ▲▼ keys or potentiometer				
	Operation Setting	External Signal	Potentiometer-5K/0.5W, DC 0 ~ +10V (input impedance 100K), 4~20mA (output impedance 250 Ω), 3 multi-function inputs (3 preset speeds, JOG, UP/DOWN command), communication setting				
Operating Characteristics	Signal	Keypad	RUN/STOP keys				
	Multi-function Input Signal	External Signal	M0, M1, M2, M3 can be combined to offer various modes of operation, RS-485 communication port				
Operating Characteristics	Multi-function Output Signal	External Signal	Multi-step speed selection 0 to 3, Jog, accel/decel inhibit, first/second accel/decel selector, counter, PLC operation, external base block (NG, NO) selection				
	Other Function	External Signal	AC Drive Operating, Frequency Attained, Non-zero speed, Base Block, Fault Indication, Local/Remote control Indication, PLC Operation Indication.				
Other Function	Protection	AVR, S-curve, Over-Voltage Stall Prevention, DC Braking, Fault Records, Adjustable Carrier Frequency, Over-Current Stall Prevention, Momentary Power Loss restart, Reverse Inhibit, Frequency Limits, Parameter Lock/Reset					
Other	Other	Over Voltage, Over Current, Under Voltage, Overload, Overheating, Self-testing, Ground fault					
Other	Other	Built-in EMI Filter for Frame B (single phase)					
Other	Cooling	Forced air-cooling					
Environment	Installation Location	Altitude 1,000 m or below, keep from corrosive gasses, liquid and dust					
	Ambient Temperature	-10°C to +40°C (Non-Condensing and not frozen)					
	Storage Temperature	-20°C to +60°C					
	Ambient Humidity	Below 90%RH (non-condensing)					
Environment	Vibration	9.80665m/s ² (1G) less than 20Hz, 5.88m/s ² (0.6Gat) 20 to 50Hz					

*We reserve the right of this catalogue contained information change without prior notice.

VFD-L

Rated frequency range 1Hz~120Hz

VFD-L

115V / 230V model

VFD-L

Standard Specifications

Features:

- 16-bit microprocessor controlled SVPWM output.
- Low noise ; carrier frequency up to 10kHz.
- Controlled reversing.
- 2 inputs and 1 output terminal for external controls.
- Adjustable V/F curve.
- Adjustable accel / decel time.
- RS-485 communication (Baud rate 9600).
- Option: Programmable Keypad (VFD-PU02).



Suitable for under 100W/3-phase AC motor drive



Compact with VFD-PU02 for running and monitoring AC motor drive (Optional)



Built-in Modbus Communication

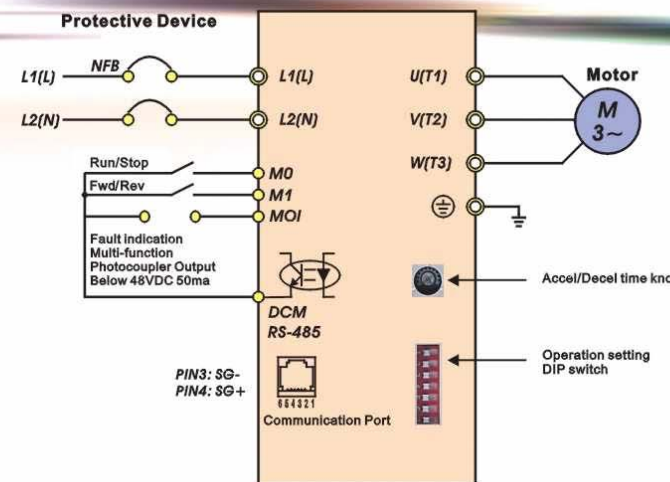
Function Display



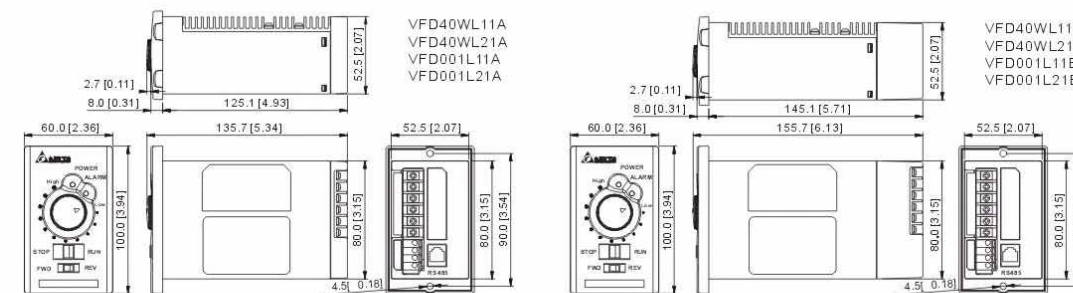
Installation Method



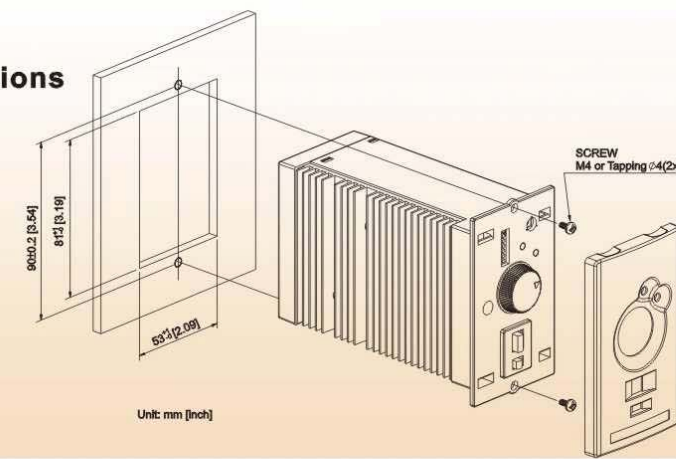
Wiring



Dimensions



Installation Dimensions



L1,L2 (L, N) AC Input

U, V, W (T1, T2, T3) Motor Connections

Communication Port

External Terminals

Operation Setting DIP switch

Accel/Decel time knob

Control Terminal Wiring

Motor Terminal Wiring

	Voltage		115V		230V	
	Model Number	VFD-□□□□ LX1A/B	40W	001	40W	001
Max. Applicable Motor Output(w)			25/40	60/100	25/40	60/100
Output Rating	Rated Output Capacity (VA)		106/152	212/303	106/152	212/303
	Rated Output Current (A)		0.28/0.4	0.56/0.8	0.28/0.4	0.56/0.8
Input Rating	Max. Output Voltage (V)		3Phase Double the Input Voltage		Proportional to Input Voltage	
	Rated Frequency (Hz)		1.00 to 120.00 Hz			
Control Characteristics	Rated Voltage/Frequency		Single-phase 100 to 120 VAC, 50/60 Hz		Single-phase 200 to 240 VAC, 50/60 Hz	
	Voltage/Freq. Tolerance		Voltage:±10%, Frequency:±5%			
Operating Characteristics	Rated Current (A)		1.1A	1.5A	2.2A	3.0A
	Control Systems		SVPWM (Space Vector Pulse Width Modulation, carrier frequency 10kHz)			
	Torque Setting		High/Low, Switching			
	Overload Endurance		150% of rated current for 1 minute			
Operating Characteristics	Accel/Decel Time		0 to 30.0 seconds			
	Frequency Setting		Potentiometer			
	Operation Setting Signal		Panel	RUN/STOP, FORWARD/REVERSE		
Operating Characteristics	Output Indication		Ext. Terminal	RUN/STOP, FORWARD/REVERSE, RS-485		
	Output Indication		Panel	Fault Indication (LED Flash)		
Operating Characteristics	Output Indication		Ext. Terminal	Fault Indication (Open Collector)		
	Protection		Self-testing, OverVoltage, OverCurrent, UnderVoltage, Overload, Overheating, Electronic thermal			
Other		EMI Filter Built in for Frame B				
Cooling		Natural air-cooling				
Environment	Installation Location		Altitude 1,000 m or lower, keep from corrosive gasses, liquid and dust			
	Ambient Temperature		-10°C to 40°C (Non-Condensing and not frozen)			
	Storage Temperature		-20°C to 60°C			
	Ambient Humidity		Below 90% RH (non-condensing)			
Vibration		9.80665 m/s ² (1 G) less than 20Hz, 5.88 m/s ² (0.6 G) at 20 to 50Hz				

*We reserve the right of this catalogue contained information change without prior notice.